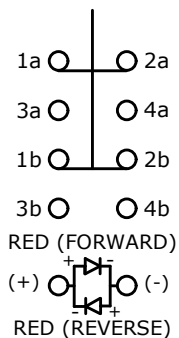


SWITCH FUNCTION	
POS. 1	POS. 2
1-2 ON 3-4 OFF	1-2 (OFF) 3-4 (ON)

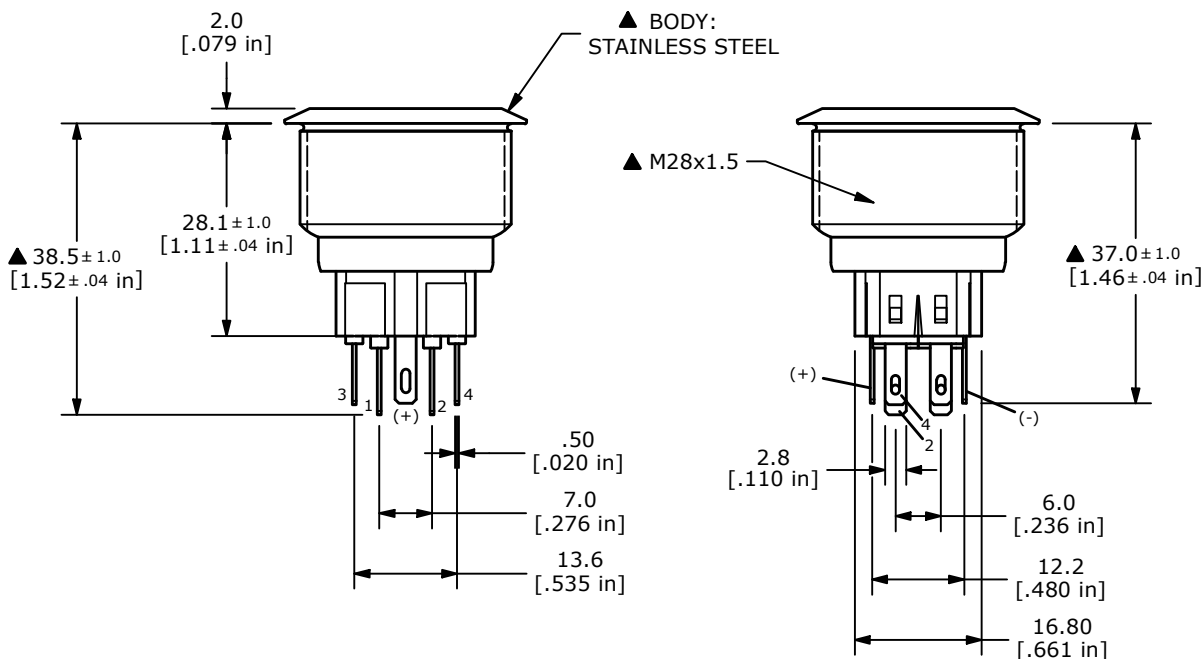
() = MOMENTARY



▲ DPDT ON-(OFF) / OFF-(ON)
CONTACT CONFIGURATION

NOTE:

- ALL DIMENSIONS IN MM [INCH]
- GENERAL TOLERANCE: X.X = ± 0.4
X.XX = ± 0.25
- TERMINAL NUMBERS FOR REF. ONLY
- RATING: 2A @ 48VDC
- CONTACT RESISTANCE: 50mΩ MAX. @ 1A 12VDC
- INSULATION RESISTANCE: 1,000MΩ @ 500VDC
- DIELECTRIC STRENGTH: 2,000VAC MIN. FOR 1 MINUTE
- ELECTRICAL LIFE: 50,000 CYCLES
- OPERATING TEMPERATURE: -20°C to 55°C
- INGRESS PROTECTION: IP66
- ▲ DENOTES CRITICAL PARAMETER
- SUPPLIED HARDWARE: O-RING AND HEXNUT
- ILLUMINATION COLOR: RED
- ILLUMINATION VOLTAGE: BASE VOLTAGE 1.8V



D	24637	UPDATE THREAD LENGTH TO 15.0	12/10/20	JM
C	23948	UPDATE DRAWING, OVERALL LENGTH	6/24/19	MW
B	23839	UPDATED RATING TO IP66	4/8/19	MJR
A	21519	New Release	7/16/14	rc
REV	PCR NO	DESCRIPTION	DATE	BY



TITLE PV9F2V0SS-311				
SCALE	DATE	DR	DWG	REV
1:1	7/16/2014	RC	52-PV9F2V0SS311	D